



- ✓ Height Safety Systems & Equipment
- ✓ Rescue Equipment
- ✓ Confined Space Equipment
- ✓ Accredited Training
 - ❖ Confined Space
 - ❖ Working at Height
 - ❖ Vertical Rescue

- ✓ Gas Detection
- ✓ BLH Stop Drop Barricading ~ Prevention of Dropped Objects
- ✓ MiOCS™ Electronic Pre-Start
- ✓ Trailer Edge Management Systems
- ✓ Medical Equipment
- ✓ Emergency Response Training & Equipment

Rapid Tap Main Tapping Kit

Used in conjunction with 20 and 25mm TPFNR and TPF ferrules for Underpressure tapping of pipelines for service connections on all types of pipe;
Consists of:

- 1 Rapid Tap case
- 1 Rapid Tap Drilling Tool complete with 20mm & 25mm TPFNR Adaptors and 20 and 25mm Tipped Drills,
- 1 Ratchet Spanner
- 1 Valve Key
- 1 Barrel Spanner and Adaptors for 20 and 25mm Ball Valves
- **Price: \$1764.00 + GST FOT Brisbane**
- Extras available as required with additional costing: Universal Spanner, 20mm TPF Adaptor, Drill Extension and Bleed Heart Valve Adaptor

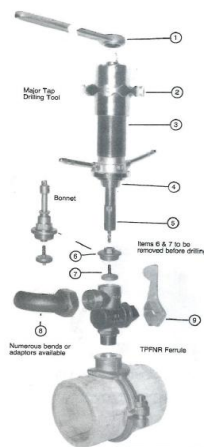


32mm and 50mm Tappings.
Major Tap Machine
1. Ratchet 2. Adapter 3. Jumper valve
4. Feed handle 5. Drill 6. Barrel 7. Valve key
8. Drill body 9. Cap or bonnet

Major Tapping Kit

Used in conjunction with 32mm, 40mm and 50mm TPFNR's for Underpressure tapping of pipelines for service connections on all types of pipe;
Consists of:

- 1 Major Tap case
- 1 Major Tap Drilling Tool
- 1 Ratchet Spanner
- 1 Valve Key
- 1 32mm TPFNR Adaptor
- 1 40mm TPFNR Adaptor
- 1 50mm TPFNR Adaptor
- 1 32mm Tipped Drill
- 1 40mm Tipped Drill
- 1 50mm Tipped Drill
- **Price: \$4594.97 + GST FOT Brisbane**
- Additional Components available as required
 - 1 x 32mm, 1 40mm & 1 50mm Hole Saw



32mm, 40mm, and 50mm Tappings.
Major Tap Machine
1. Ratchet 2. Adapter 3. Jumper valve
4. Feed handle 5. Drill 6. Barrel 7. Valve key
8. Drill body 9. Cap or bonnet



WATGAS Boring Machine

Used for 80 and 100mm offtakes:
Consists of:

- 1 Watgas Borer Case
- 1 Major Tap Drilling Tool
- Major Tap Ratchet Spanner
- 80/100mm Flange Adaptor;
- Spindle Extension,
- 80mm Tipped Drill
- 100mm Tipped Drill
- Ball Valve
- **Price: \$5030.42 + GST FOT Brisbane**



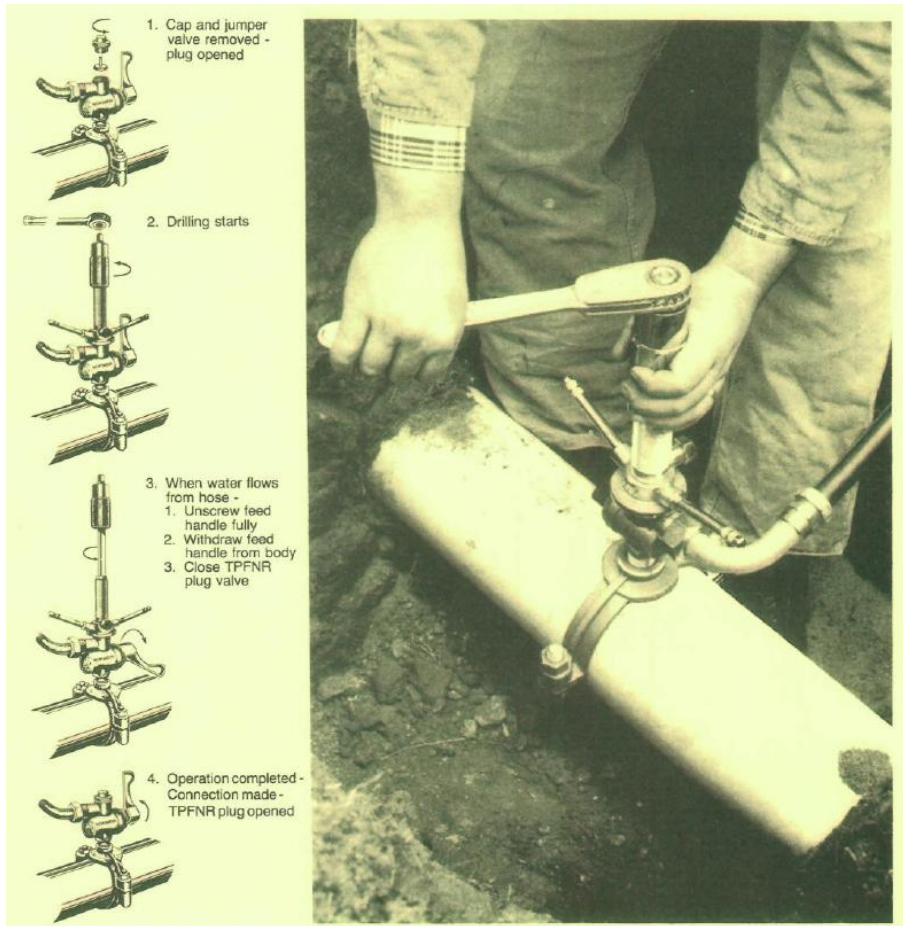
Your one-stop Safety Solutions Provider

P: 07 4772 0241 **F:** 07 4772 3240 **E:** solutions@safeoptionsolutions.com.au

24 Ethel Street, Hyde Park. QLD 4812

www.safeoptionsolutions.com.au

ELLENAXE PTY LTD t/as **Safe Option Solutions** ABN 63 105 174 098



Sequence of Operation – Rapid Tap and Major Tap Underpressure Tapping Machines

- *The Sureseal Tapping Band with its built in seal is fitted to the main*
- *The TPFNR ferrule, which has either a cap or a bonnet screwed in the top, is screwed into the tapping band*
- *The TPFNR ferrule cap or bonnet is removed and the plug valve is opened and a length of hose fitted to the outlet*
- *The drilling tool with the appropriate drill and adaptor is fitted into the TPFNR and the feed handle rotated until the drill touches the main*
- *Drilling is commenced by rotating the ratchet and is continued until the main is fully pierced and water flows from the hose*
- *The feed handle is then unscrewed and withdrawn from the body, and the TPFNR plug is turned off*
- *The drill tool body is then unscrewed from the ferrule and the jumper valve and cap or bonnet replaced*
- *The TPFNR is now ready for connection to the service pipe.*

Recommended procedure for:

Underpressure Tapping

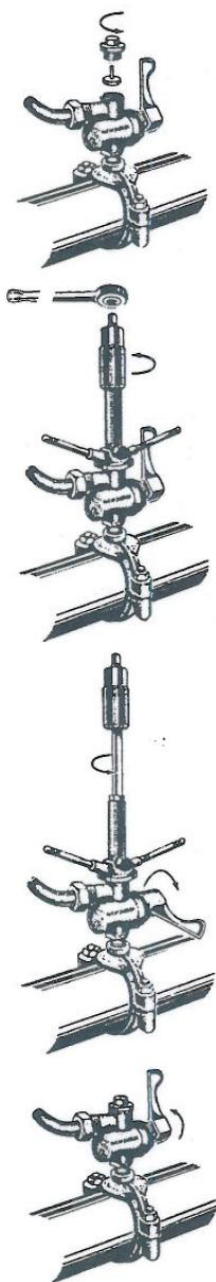
Using either a *ferrule type main cock* or a *ball valve main cock*

RMC™
Specified with confidence

PRODUCT INFORMATION SHEET

The RMC™ *RAPID TAP* is supplied with adaptors to allow underpressure mains tapping through either 20mm or 25mm ferrules or ball valves, at mains pressures up to 1 800 kPa.

A How to use the *RAPID TAP UNDERPRESSURE TAPPING MACHINE* with a *TPFNR ferrule-type main cock*

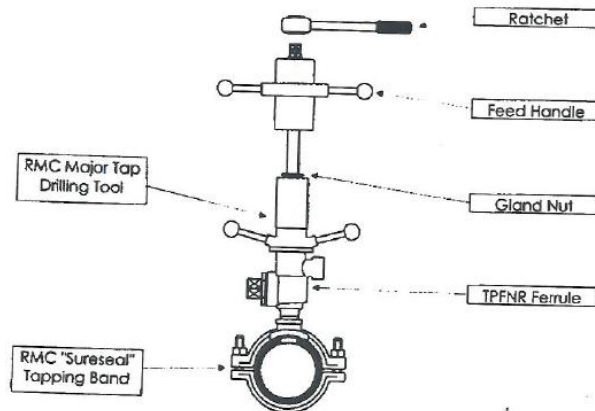


1. Fit the RMC™ *SURESEAL* tapping band - with its built-in seal - to the pipe.
 2. Apply sealant tape to the male taper thread of the TPFNR ferrule cock and screw the TPFNR ferrule cock firmly into the tapping band.
 3. Remove the cap or bonnet from the TPFNR ferrule cock, open the plug valve and fit a length of hose to the outlet.
 4. Select the appropriate drill and adaptor. Screw these firmly into the drilling tool, backing off the feed handle thread if necessary so that the drill will not reach the main when the adaptor is screwed fully into the top of the TPFNR ferrule cock.
 5. Screw the drilling tool into TPFNR ferrule cock, and rotate the feed handle until the drill touches the main. A barrel spanner may be used if required.
 6. Commence drilling by turning the ratchet clockwise, while slowly rotating the feed handle clockwise to lower the drill.
- NOTE: *Do not reverse the direction of the ratchet if the drill jams. The ratchet must always be turned clockwise. If the drill jams, back off the feed handle slightly by rotating the feed handle anti-clockwise, while continuing to turn the ratchet clockwise.*
7. Continue until the main is fully pierced as indicated by the easy movement of the drill and the feed handle. If the main is under pressure, water will flow from the hose.
 8. Unscrew the feed handle and withdraw it from the body. Once the drill is clear of the body, turn the TPFNR ferrule cock plug the **closed** position.
 9. Unscrew the drilling tool from the TPFNR ferrule cock. Remove the drill and fit the insertion bush tool to the drilling machine.
 10. Refit the tool to the ferrule and open the TPFNR ferrule cock plug. With the bush attached to the tool, operate the tool as if tapping until the tool bottoms out, indicating the bush is in place.
 11. Unscrew the feed handle and withdraw it from the body. Turn the TPFNR ferrule cock plug to the **closed** position.
 12. Unscrew the drilling tool from the TPFNR ferrule cock and replace the jumper valve and cap or bonnet.
 13. The TPFNR is now ready for connection to the service pipe.

RMC™
Specified with Confidence

Recommended procedure for:
Underpressure Tapping
Using either a *ferrule type main cock* or a *ball valve main cock*

B	How to use the RAPID TAP UNDERPRESSURE TAPPING MACHINE with a ball valve main cock
	<ol style="list-style-type: none"> 1. Apply sealant tape to the male taper thread of the ball valve and screw the ball valve firmly into the tapping band. 2. Turn the ball valve to the open position. 3. Select the appropriate drill and adaptor. Screw these firmly into the drilling tool, backing off the feed handle thread if necessary so that the drill will not reach the main when the adaptor is screwed fully into the top of the ball valve. 4. Screw the drilling tool into the ball valve, and rotate the feed handle until the drill touches the main. A barrel spanner may be used if required. 5. Commence drilling by turning the <u>ratchet clockwise</u>, while slowly rotating the <u>feed handle clockwise</u> to lower the drill. <p>NOTE: <i>Do not reverse the direction of the ratchet if the drill jams. <u>The ratchet must always be turned clockwise.</u> If the drill jams, back off the feed handle slightly by rotating the <u>feed handle anti-clockwise</u> while continuing to turn the <u>ratchet clockwise.</u></i></p> <ol style="list-style-type: none"> 6. Unscrew the feed handle and withdraw it from the body. Once the drill is clear of the body, turn the TPFNR ball valve handle to the closed position. <p>WARNING:</p> <p>When unscrewing the feed handle, NEVER stand over the tool as the feed handle may be forced rapidly upwards by the water pressure against the cutter. The gland nut at the top of the cutting tools should always be tight enough to control this.</p> <ol style="list-style-type: none"> 7. Unscrew the drilling tool from the ball valve. Remove the drill and fit the insertion bush tool to the drilling machine. 8. Refit the tool to the ball valve and OPEN the ball valve. With the bush attached to the tool, operate the tool as if tapping until the tool bottoms out, indicating that the bush is in place. 9. Unscrew the feed handle and withdraw it from the body. Turn the ball valve to the closed position. 10. Unscrew the drilling tool from the ball valve. 11. The ball valve is now ready for connection to the service pipe.



UNDER PRESSURE TAPPING WITH THE MAJOR TAP UNDERPRESSURE TAPPING MACHINE

- The Major Tap Underpressure Tapping Machine is designed for underpressure mains tapping through 32, 40 and 50mm TPFNR and TPF ferrules up to a mains pressure of 1800kpa.
- The Sureseal Tapping Band, with its built in seal, is fitted on the main.
- The TPFNR ferrule, which has either a cap or a bonnet top, is screwed into the tapping band.
- The cap or bonnet assembly, comprising cap or bonnet, jumper valve and fibre washer, is removed with the plastic plug in the open position
- A length of hose may be fitted to the outlet of the TPFNR to allow water to flow away from the work site when the main is pierced.
- The drilling tool with the appropriate adaptor is fitted into the bonnet end of the TPFNR.
- **NOTE: Cutters smaller than 32mm should not be used with the Major Tap Underpressure Tapping Machine as smaller cutters may be able to pass through the gland nut at the top of the cutting tool, exposing the operator to the risk of injury when disengaging the feed handle of the tool under pressure.**
- The feed handle is rotated clockwise until the drill touches the main.
- Drilling is commenced by rotating the ratchet clockwise and is continued by rotating the ratchet while slowly turning the feed handle clockwise.
- **NOTE: Reversing the direction of the ratchet may damage the cutting edge of the cutter, so ratchet should always be rotated clockwise.**
- If the drill jams in the pipe while drilling, the feed handle should be backed off slightly by rotating the feed handle anti-clockwise while continuing to rotate the ratchet in a clockwise direction.
- Drilling is continued until the main is pierced and water flows from the outlet of the ferrule.
- The feed handle is then unscrewed anti-clockwise from the body of the tool and the cutter fully withdrawn to the uppermost position of the tool (with feed handle disengaged from the body).
- **NOTE: When unscrewing the feed handle from the tool, never stand over the tool as the feed handle may be forced rapidly upwards by the pressure of the water against the cutter. The gland nut at the top of the cutting tool should always be tight enough to retard this motion.**
- The plastic plug of the TPFNR is then turned to the closed position to stop the flow of water from the main.
- The drilling tool may then be removed from the TPFNR and the cap or bonnet assembly replaced.
- The TPFNR is then ready for connection to the service pipe.